

Fig 1

Typical PVB installations for irrigation systems

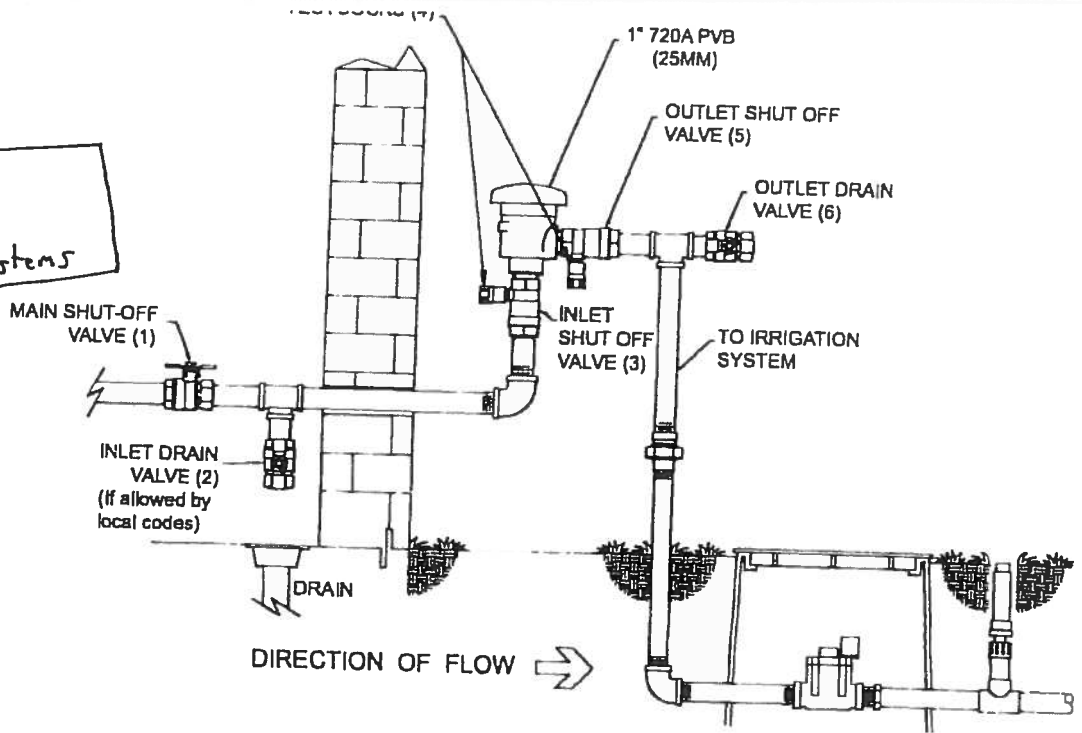
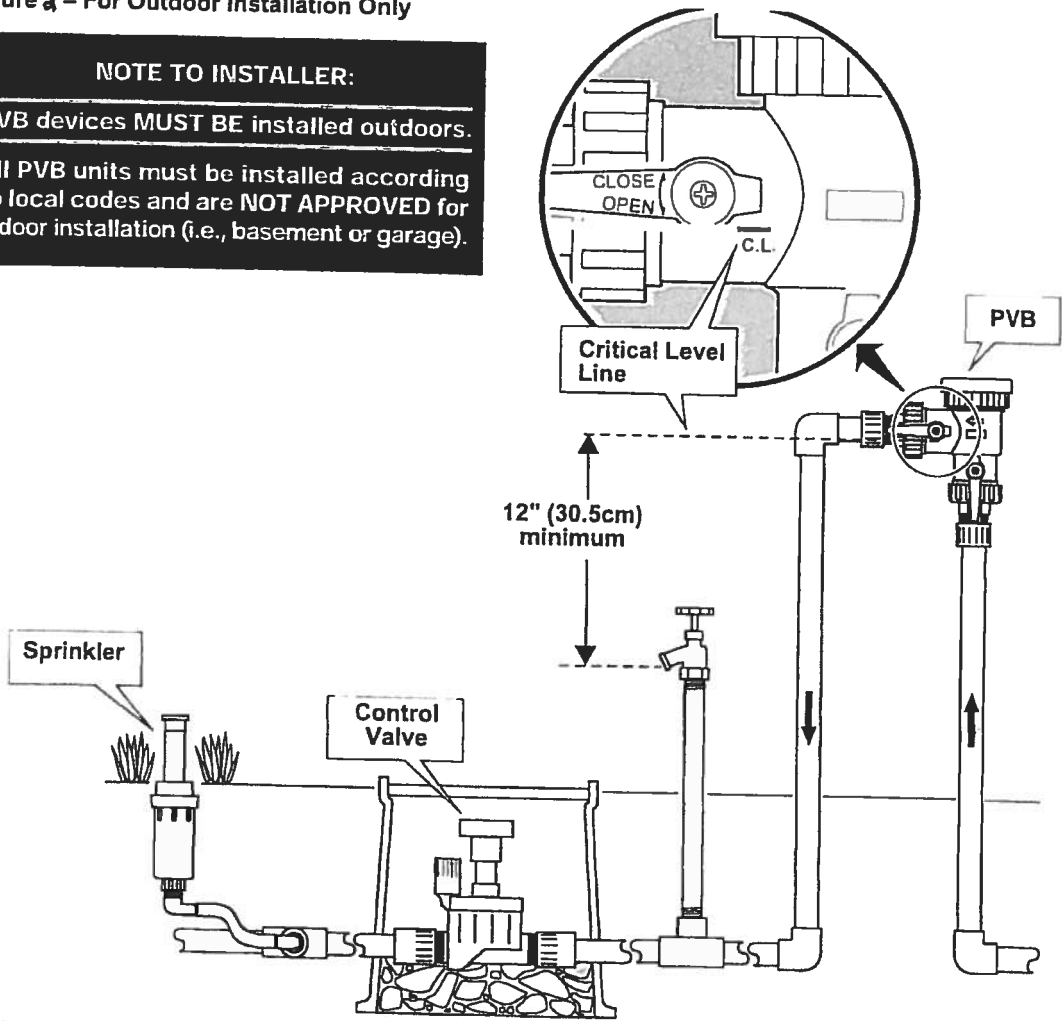
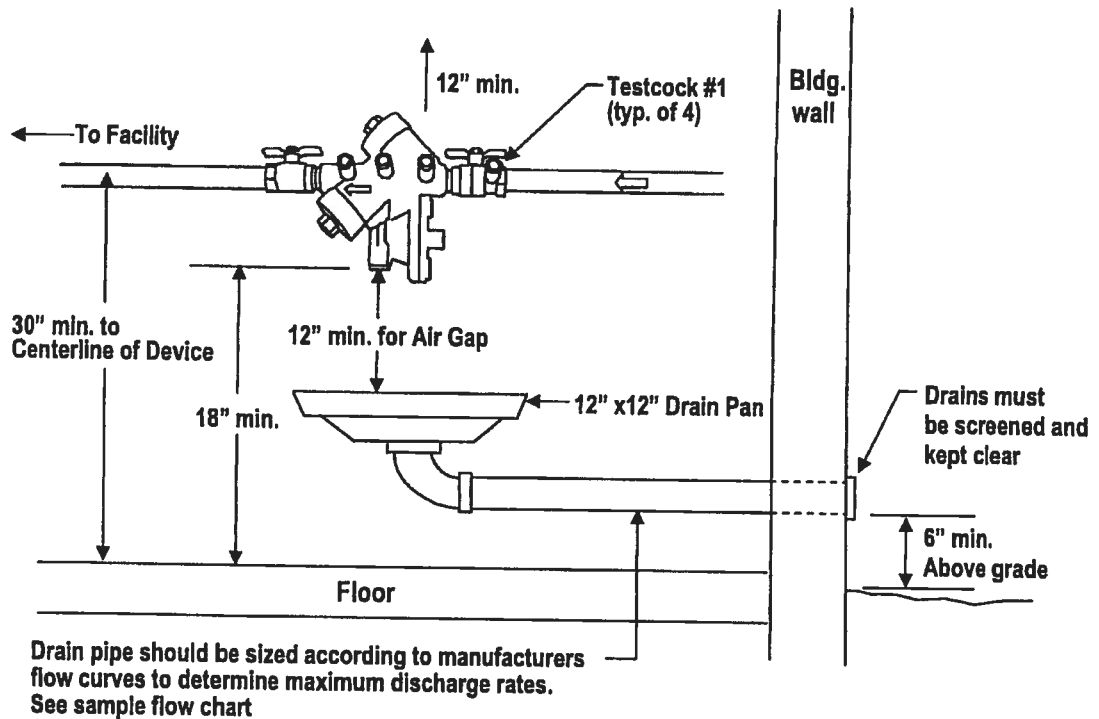


Figure 3 – For Outdoor Installation Only

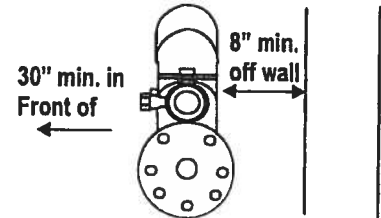
NOTE TO INSTALLER:
PVB devices **MUST BE** installed outdoors.
All PVB units must be installed according to local codes and are **NOT APPROVED** for indoor installation (i.e., basement or garage).



PREFERRED INSTALLATION (FIRST FLOOR): REDUCED PRESSURE ZONE DEVICES OF ALL SIZES



FRONT VIEW



SIDE VIEW

NOTES:

1. This device must be protected against freezing.
2. Test cocks must be positioned to facilitate testing (30" minimum clearance).
3. All connections T's, hose bibs, irrigation etc. must be installed after (downstream) of device.
4. Drains cannot be subject to flooding and must be screened.
5. Destination of drainage must be shown.
6. Proper maintenance must be performed.
7. Device must have USC Foundation for Cross Connection Control approval.
8. Device must be adequately supported to prevent lateral movement. Devices 2" or larger must be supported to the floor.
9. Supports must be placed where they will not obstruct the function or access to relief valve.
10. A separate shut off valve is required upstream of the assembly.
11. Adequate lighting must be provided.
12. Device may not be installed higher than 5' above the floor or a fixed platform is required.
13. Where the distance between the water meter and device is greater than 10' all exposed piping must be labeled every 5' displaying the words " feed to Backflow Preventer DO NOT TAP "

Sump Installation: Reduced Pressure Zone Devices Between 3/4" to 1 1/4"

Sump requirements:

- 1)removable grating
- 2)preformed walls (solid)
- 3)opened floor (sand/dirt)

Interior measurements:

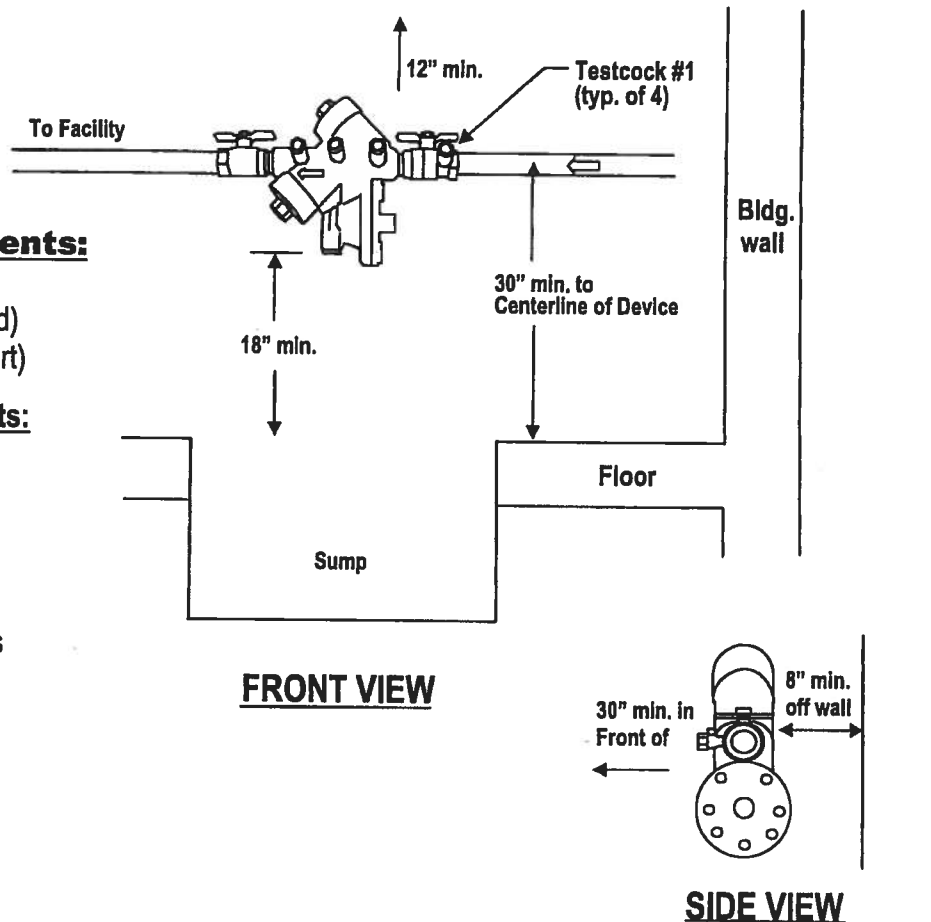
A) square sump

3/4" and 1" devices
= 2'x2'x3'

1 1/4" = 3'x3'x4'

B) round sump

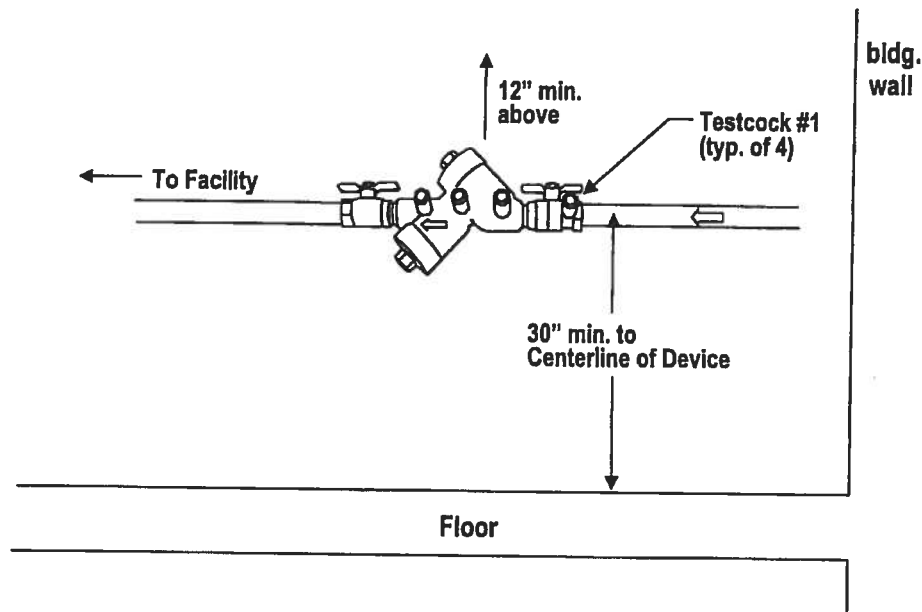
3/4" and 1" devices
= 2'x4'



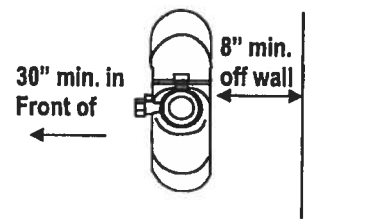
NOTES:

1. Basement installation is only acceptable when the floor area and the volume below the device is a Minimum of 2000 cubic feet to accommodate discharge from a relief valve failure.
2. Customer must be aware of potential water damage to basement in the event of a relief valve failure.
3. This device must be protected against freezing.
4. Test cocks must be positioned to facilitate testing (30" minimum clearance).
5. All connections T's, hose bibs, irrigation etc. must be installed after (downstream) of device.
6. Proper maintenance must be performed.
7. Device must have USC Foundation for Cross Connection Control approval.
8. Device must be adequately supported to prevent lateral movement.
9. The supports must be placed where they will not obstruct the function or access to relief valve
10. A separate shut off valve is required upstream of the assembly.
11. Adequate lighting must be provided.
12. Device may not be installed higher than 5' above the floor or a fixed platform is required.
13. Where the distance between the water meter and device is greater than 10' all exposed piping must be labeled every 5' displaying the words " feed to Backflow Preventer DO NOT TAP "

DOUBLE CHECK VALVE INSTALLATION



FRONT VIEW



SIDE VIEW

NOTES:

1. This device must be protected against freezing
2. Test cocks must be positioned to facilitate testing (30" minimum clearance).
3. All connections T's, hose bibs, irrigation etc. must be installed after (downstream) of device.
4. Proper maintenance must be performed
5. Device must have USC Foundation for Cross Connection Control approval.
6. Device can be installed vertically if on NYS DOH approved list for vertical installation.
7. Device must be adequately supported to prevent lateral movement. Devices 2" or larger must be supported to the floor
8. A separate shut off valve is required upstream of the assembly
9. Adequate lighting must be provided
10. Device may not be installed higher than 5' above the floor or a fixed platform is required.
11. Where the distance between the water meter and device is greater than 10' all exposed piping must be labeled every 5' displaying the words " feed to Backflow Preventer DO NOT TAP "

PLUMBER	CONTACT INFORMATION	EXPIRATION	RESPONDED
As of 7/28/17			
ADJO CONTRACTING CORP. 207 KNICKERBOCKER AVE. BOHEMIA, NY 11716	(631) 589 - 0800	11/9/2017	
ALCYONE PLUMBING CO., INC. (PAT DOLAN PLUMBING CO., INC) 4 BROOKLYN AVE. MASSAPEQUA, NY 11758	(516) 798 - 1055	8/23/2018	
ALLIED ALL CITY PLUMBING 2621 GRAND BLVD. BELLMORE, NY 11710	(516) 623 - 9838	9/4/2018	
DOODEY MAN TO THE RESCUE ANY TIME SEWERS & DRAINS 593 HEMPSTEAD TURNPIKE ELMONT, NY 11003	(516) 345-8336 (718) 347-3800	12/19/2017	
AL FELICIONI FELICIONI DEVELOPMENT CORP. P.O. BOX 844 SMITHTOWN, NY 11787	CELL: 578 - 1300 HOME: (631) 265 - 9009	4/1/2018	
KEVIN GALLAGHER 387 SOUTH MAIN STREET FREEPORT, NY 11520	(516) 732-3487 Fax: (631) 464-4778 KEVIN@PIPE4YOU.COM	11/28/2017	
TERRY GALLAGHER, INC. 50 SPRAGUE AVE. AMITYVILLE, NY 11701	PHONE: (631) 789 - 9540 FAX: (631) 789 - 1054	7/13/2017	
GOLD STAR PLUMBING INC. 3524 ISLAND ROAD WANTAGH, NY 11793	MATT (516) 882 - 3160	3/7/2018	
AL HELLER AND SONS, INC. 70 MILL STREET AMITYVILLE, NY 11701	(631) 841 - 1869	9/23/2017	
MERRICK UTILITY ASSOCIATES 91 MARINE ST. FARMINGDALE, NY 11735	(631) 249-2560	4/10/2018	
ORCHID SEWER CONTRACTING CORP. 11 DENNIS STREET GARDEN CITY PARK, NY 11040	FRANK FALBO 747 - 1311	3/15/2018	
SEAFORD AVEUNE CORP. 21 BROOKLYN AVENUE MASSAPEQUA, NY 11758	(516) 785 - 6581 CELL: (516) 250 - 5150	11/9/2017	
SOUTH SHORE CESS POOLS INC. 315 LITTLE NECK AVENUE NORTH BELLMORE, NY 11710	TOM 807 - 2656 OR 785 - 0527	7/24/2019	
MR. SEWER AND WATER 14D SEABORO AVE. AMITYVILLE, NY 11701	(631) 789 - 0860	9/30/2017	